



# Hotel Tent Catalog



[www.dacmke.com](http://www.dacmke.com)



## About DAC

- > Founded in 2002.
- > 20-year manufacture experience
- > 2 workshops
- > 10,000m<sup>2</sup> area factory
- > 12 patent desing
- > 7 engineers in R&D team

Our mission is to provide best service to our customers and concentrate on building a long-term partnership with our customers which leading us to create a win-win situation. We are committed to putting our customers as the first priority, by providing high quality products, integrity, honesty and accountability in our worldwide business.



## Yanji Glass Plate



### Product Specification Parameters

Floor Area: 54m<sup>2</sup>

Area Indoor: one bedroom, one living room, 22 m<sup>2</sup>

Main material: Steel aluminum+glass / steel aluminum+grid cloth

Installation method: Build, including bathroom

## Hotel Tent





## USB Drive



### Product Specification Parameters

- Spec: 8.6m\*5.3m\*3.72m
- Product material: The main frame is made of galvanized square steel tube, the platform frame is made of carbonized wood, double-layer vacuum tempered glass, and sunshade fabric is PVC sandwich fabric, the doors and windows are made of bridge-cut aluminum alloy
- Installation method: Hoisting, including wooden platform

## Hotel Tent





# Hotel Tent

B S. B SERIES ----->





# Hotel Tent



## Product Specification Parameters

Size: 13.3\*6.3m

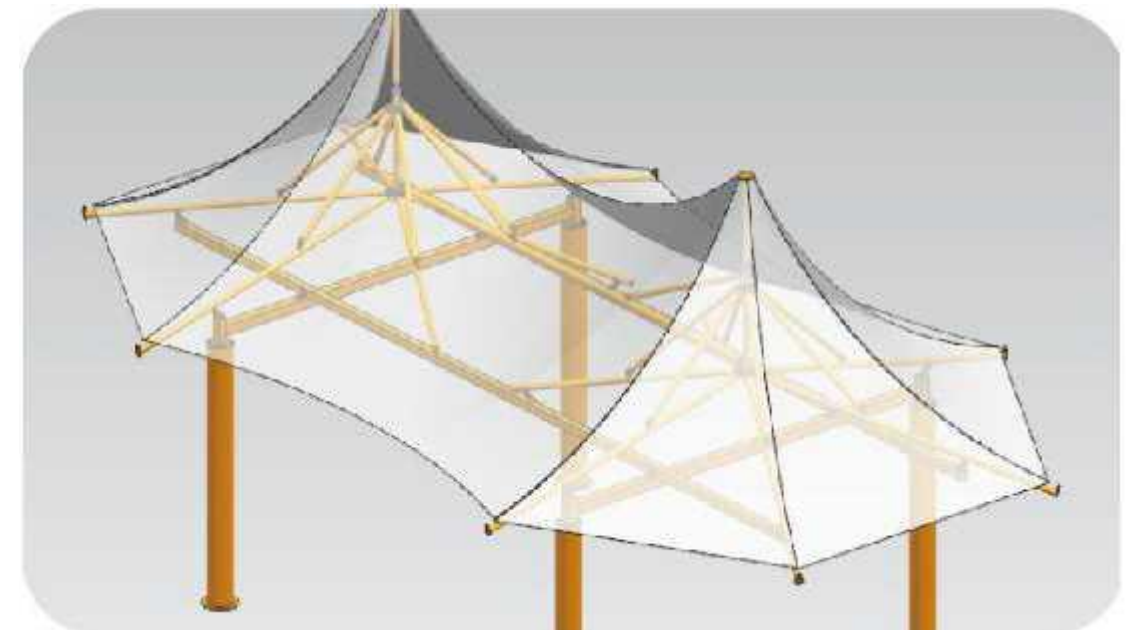
Material:

Roof: High strength anti-tearing, odorless and environment-friendly PVC sandwich fabric, UV resistant, waterproof index:>10000 mm, anti-mildew.

UV50+(cpai-84) standard, cold resistance: - 25 degrees.

Structural frame: steel double galvanized with outdoor baking paint.

Installation method: Build





# Hotel Tent

## Stage Canopy



### Product specification parameters

Size: 21\*9.3\*9.5m

Installation method: Build



## Yanji Cloth Version

# Hotel Tent



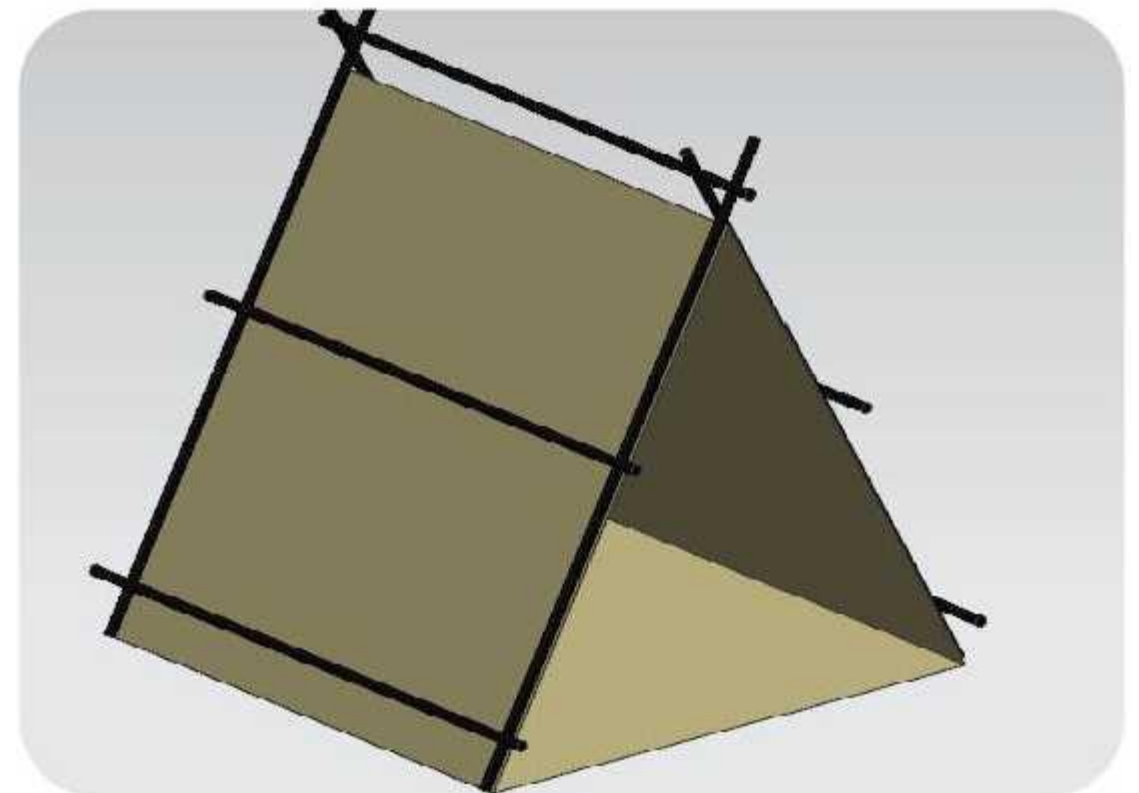
### Product Specification Parameters

- Size: 5.6\*4.0\*3.0m
- Product material: Roof: High strength anti-tearing, odorless and environment-friendly PVC sandwich fabric, UV resistant, waterproof index:>10000 mm, anti-mildew. UV50+(cpai-84) standard, cold resistance: - 25 degrees.  
  
Inner fabric: High strength breathable cotton canvas, anti-rain and anti-mildew treatment, UV resistant UV50+, dust-proof and insect-proof, long service life, touch feel the natural and comfortable.
- Structural frame: steel double galvanized with outdoor baking paint.
- Installation method: Build



# Hotel Tent

## DAC Simple Tent



### Product Specification Parameters

- Size: 3.0\*3.5m
- Material: PVC grid cloth + square steel body
- Installation method: Build



## Yayu House



### Product Specification Parameters

Size: 11.2\*2.5\*2.5m

Product material: Frame: 80 x 80 x 2.0 galvanized square steel tube + 80 x 40 x 2.0 galvanized square steel tube, electrostatic spraying on metal surface, special powder for outdoor use.

The frame structure adopts dioxy welding, and the surface is polished smooth

## Hotel Tent





## Hongmeng-7K Seat Upgrade

# Hotel Tent



### Product Specification Parameters

Spec: Two bedrooms and one bathroom 24m<sup>2</sup>

Product material: Frame: 80 x 80 x 2.0 galvanized square steel tube + 80 x 40 x 2.0 galvanized square steel tube, electrostatic spraying on metal surface, special powder for outdoor use, and interior decoration use 10mm Hemlock planks. the outer wall adopts 10mm thermal insulation board, which is heat-insulated and keep warm inside.

Installation method: Build, excluding furniture, including bathroom



# Hotel Tent

## Hongmeng Wooden House



### Product Specification Parameters

Size: 7.0\*5.5\*6.0m

Product material: Frame: 80 x 80 x 2.0 galvanized square steel tube + 80 x 40 x 2.0 galvanized square steel tube, electrostatic spraying on metal surface, special powder for outdoor use, and interior decoration use 10mm Hemlock planks. the outer wall adopts 10mm thermal insulation board, which is heat-insulated and keep warm inside.

Installation method: Build, excluding furniture



# Hotel Tent

## Coffee House



### Product Specification Parameters

- Spec: 8.0\*8.5\*6.0m
- Product material: Frame: 80 x 80 x 2.0 galvanized square steel tube + 80 x 40 x 2.0 galvanized square steel tube; electrostatic spraying on metal surface, special powder for outdoor use, the frame structure adopts dioxy welding, and the surface is polished smooth.
- Installation method: Build, excluding furniture





## Multi-Purpose Tent



## Hotel Tent



### Product Specification Parameters

Spec: 9.3\*21\*9.5m

Installation method: Build



## Square Tent



## Hotel Tent



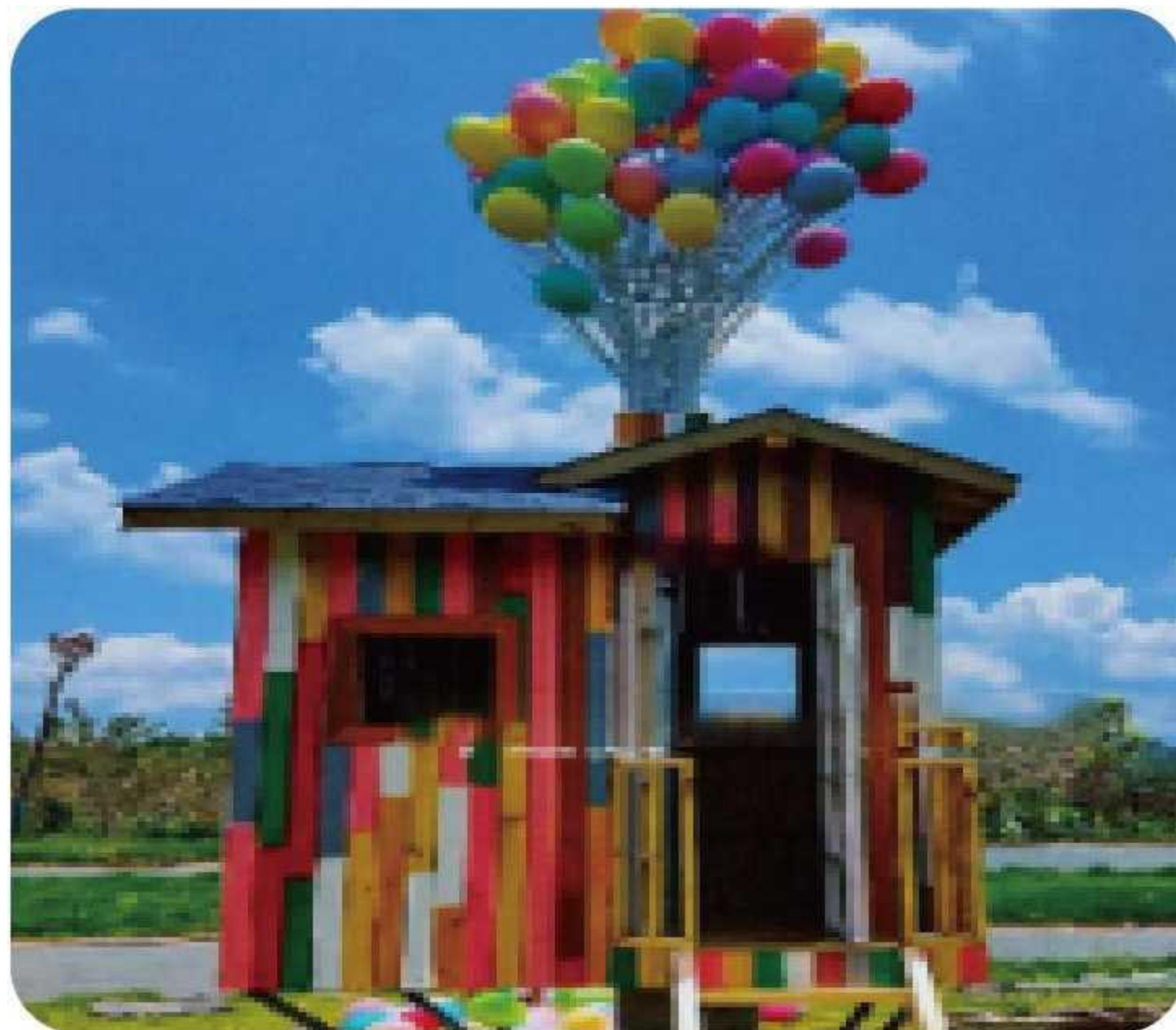
### Product Specification Parameters

Spec: 5\*5\*2.5m



# Hotel Tent

## Balloon Cabin



### Product Specification Parameters

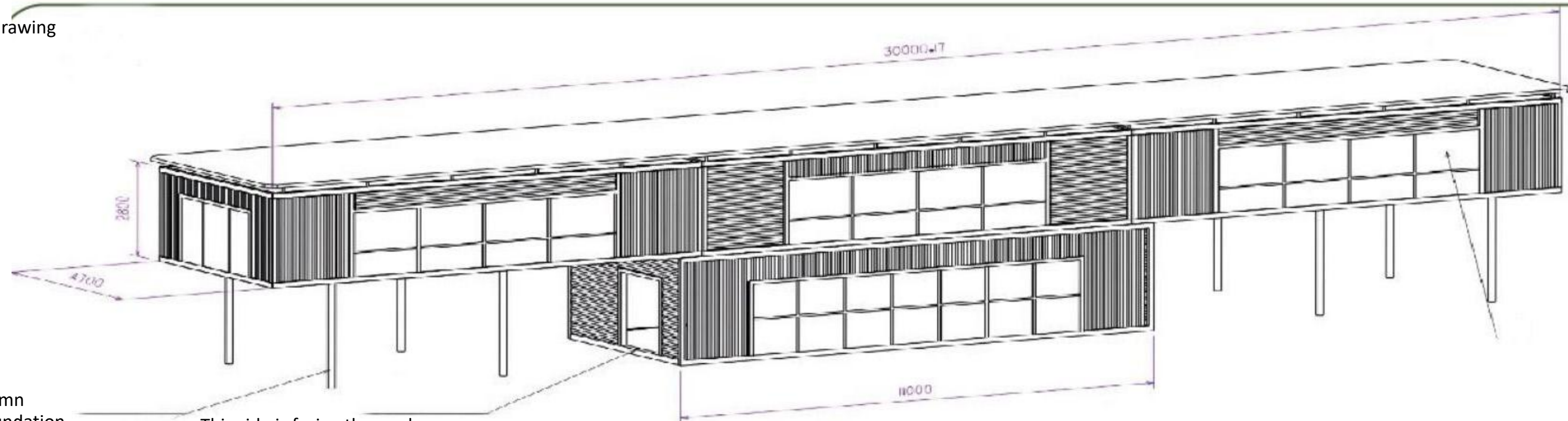
Spec: 2m\*2m\*2.5m



# Hotel Tent

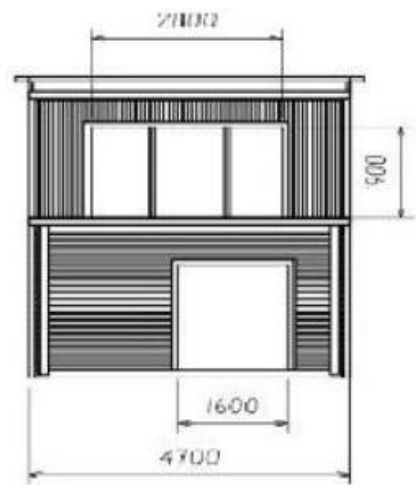
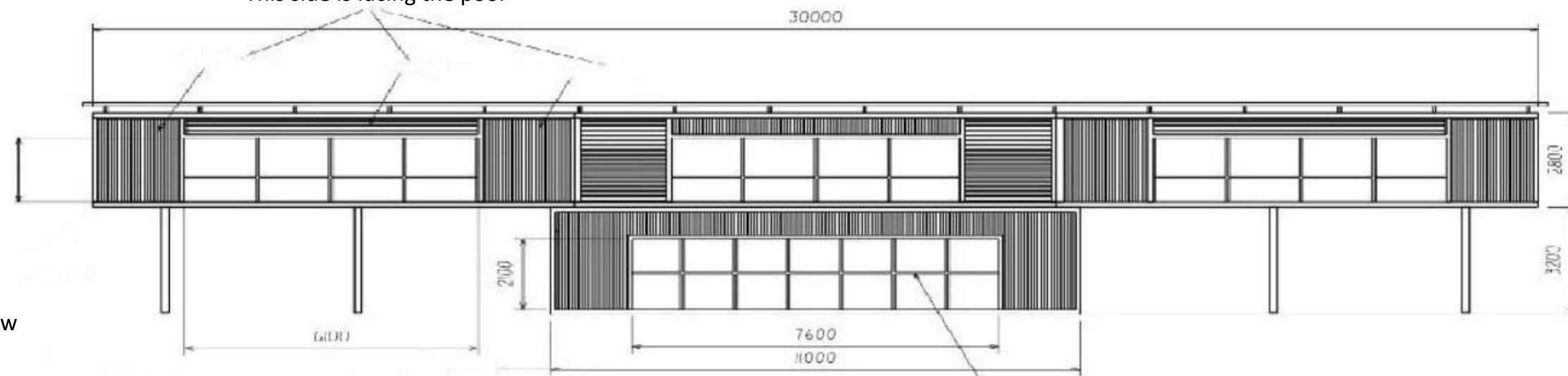
## Container Restaurant

Isometric drawing



Support column  
Excluding foundation

This side is facing the pool



Note:  
Unit: mm

The dimensions indicated in this drawing are for reference only, not for the final contract size  
All forms are made symmetrically

The height of the crossbar may block the view.  
Please note

### Product Specification Parameters

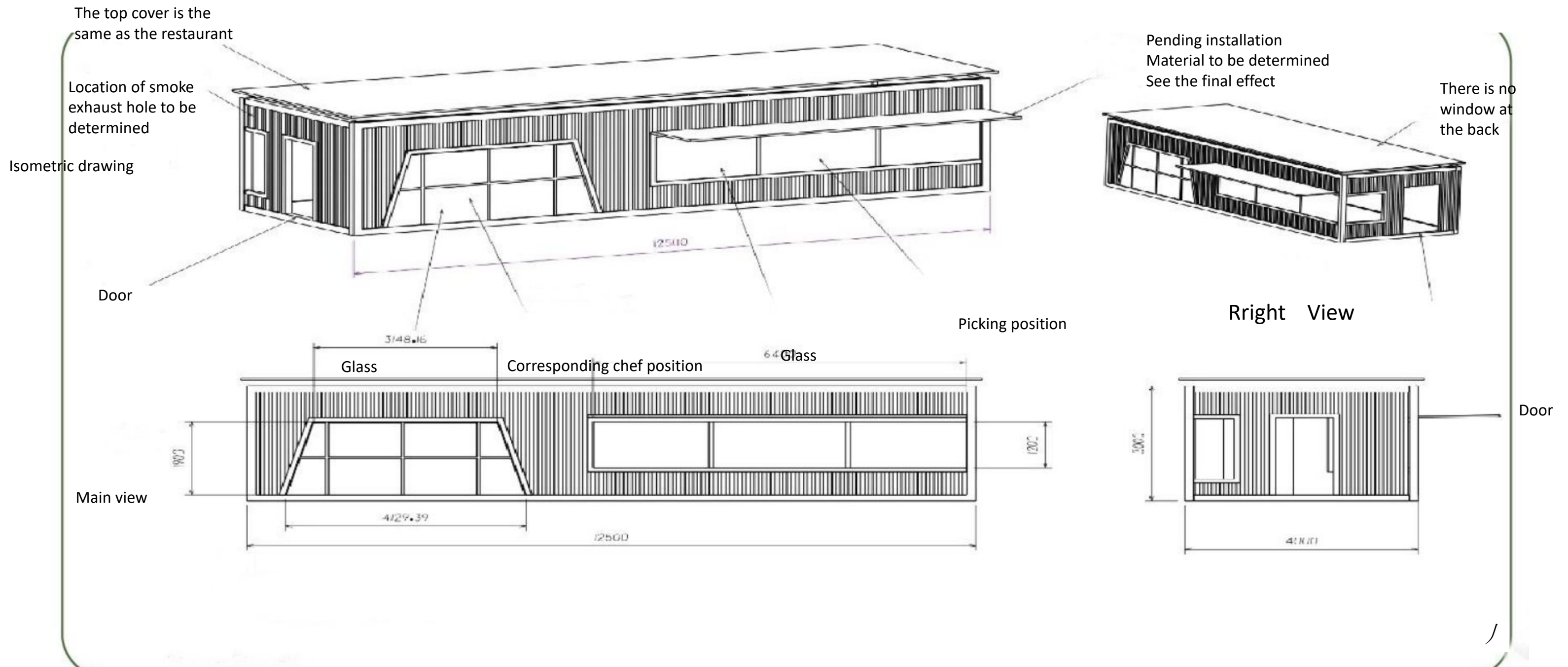
Upper floor dimension 30\*4.7\*3m

Ground floor dimension 11\*4.7\*3m



# Hotel Tent

## Container Kitchen



Note:  
Unit: mm  
The dimensions indicated in this drawing are for reference only, not for the final contract size  
Location of smoke exhaust pipe to be determined  
The front of the kitchen is as shown in the picture, and there is no window on the back!

### Product Specification Parameters

Spec: 12.5\*4\*3m



## Nalati



### Product Specification Parameters

Spec: 4\*3.8m

Product material: Imported polycarbonate + aviation aluminum profiles  
Size: Diameter 4m x height 3.8m;  
Capacity: 10 to 15 people

Installation method: Build, including curtain+platform

## Hotel Tent





# Hotel Tent

## Star Ball Room



### Product Specification Parameters

Spec: 6\*3m



# Hotel Tent

## Star Ball Room



### Product Specification Parameters

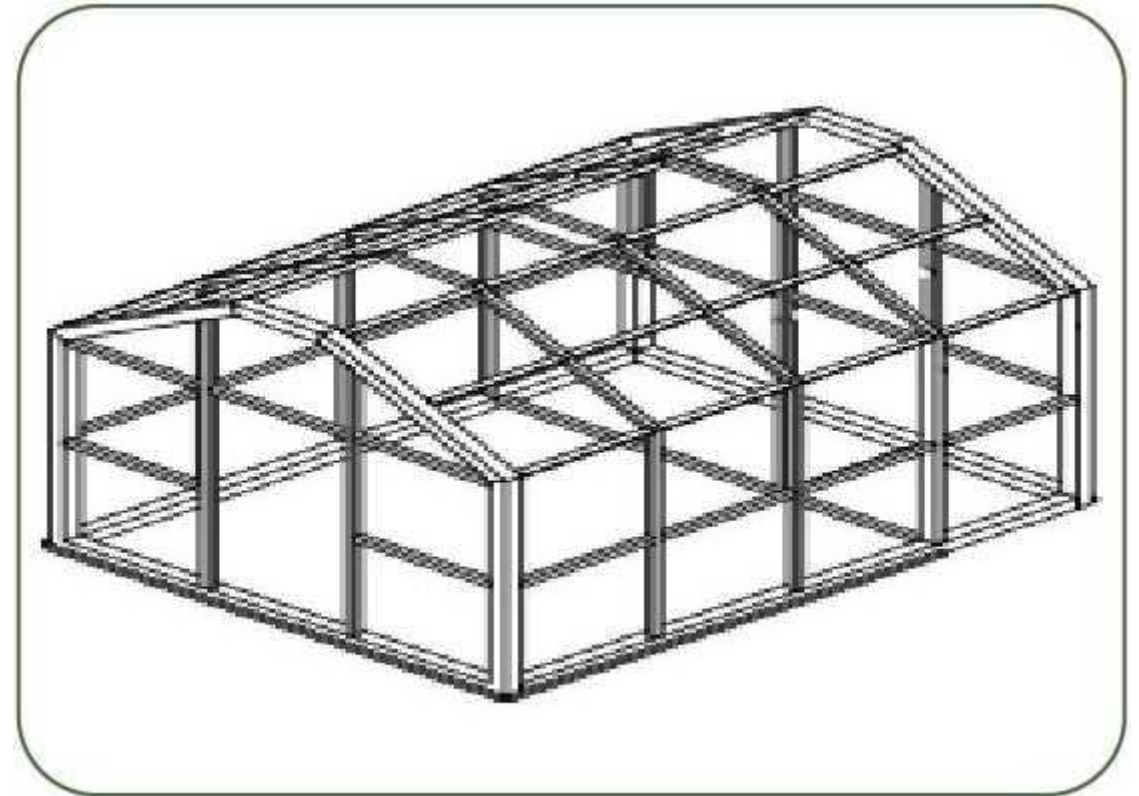
Spec: 22\*11m

Occupied area: 380m<sup>2</sup>



# Hotel Tent

## Glass House



### Product Specification Parameters

Spec: Frame: 80 x 80 x 2.0 galvanized square steel tube + 80 x 40 x 2.0 galvanized square steel tube, electrostatic spraying on metal surface, special powder for outdoor use, the frame structure adopts dioxy welding, and the surface is polished smooth.

Installation method: Hoisting, excluding temperature control system



## Hidden Cloud Gully



# Hotel Tent



### Product Specification Parameters

Spec: 6m\*3.5m\*3.1m Area 23.1m<sup>2</sup>

Product material: The main frame is made of galvanized square steel tube, the platform frame is made of carbonized wood, double-layer vacuum tempered glass, the doors and windows are made of bridge-cut aluminum alloy.

Installation method: Hoisting, product does not include wooden platform

# Hotel Tent

## Rest valley



### Product Specification Parameters

Spec: 4.65m\*3.65m\*3.1m Area 17m<sup>2</sup>

Product material: The main frame is made of galvanized square steel tube, the platform is made of carbonized wood, double-layer vacuum tempered glass, the doors and windows are made of bridge-cut aluminum alloy

Installation method: Hoisting, product does not include wooden platform



# Contact US

**+86 0755 2818 0282**

**[rtt@dacgroupco.com](mailto:rtt@dacgroupco.com)**